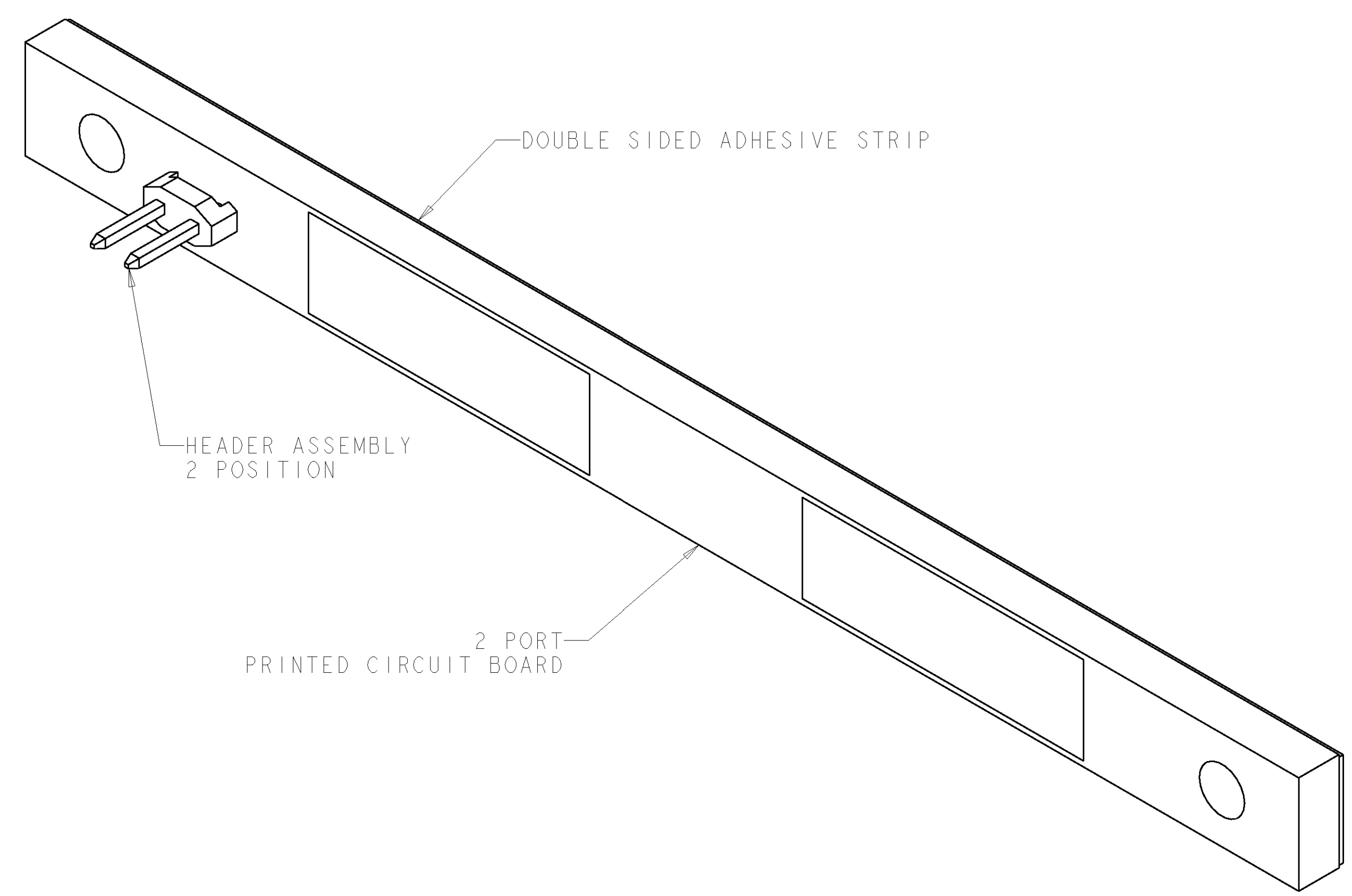
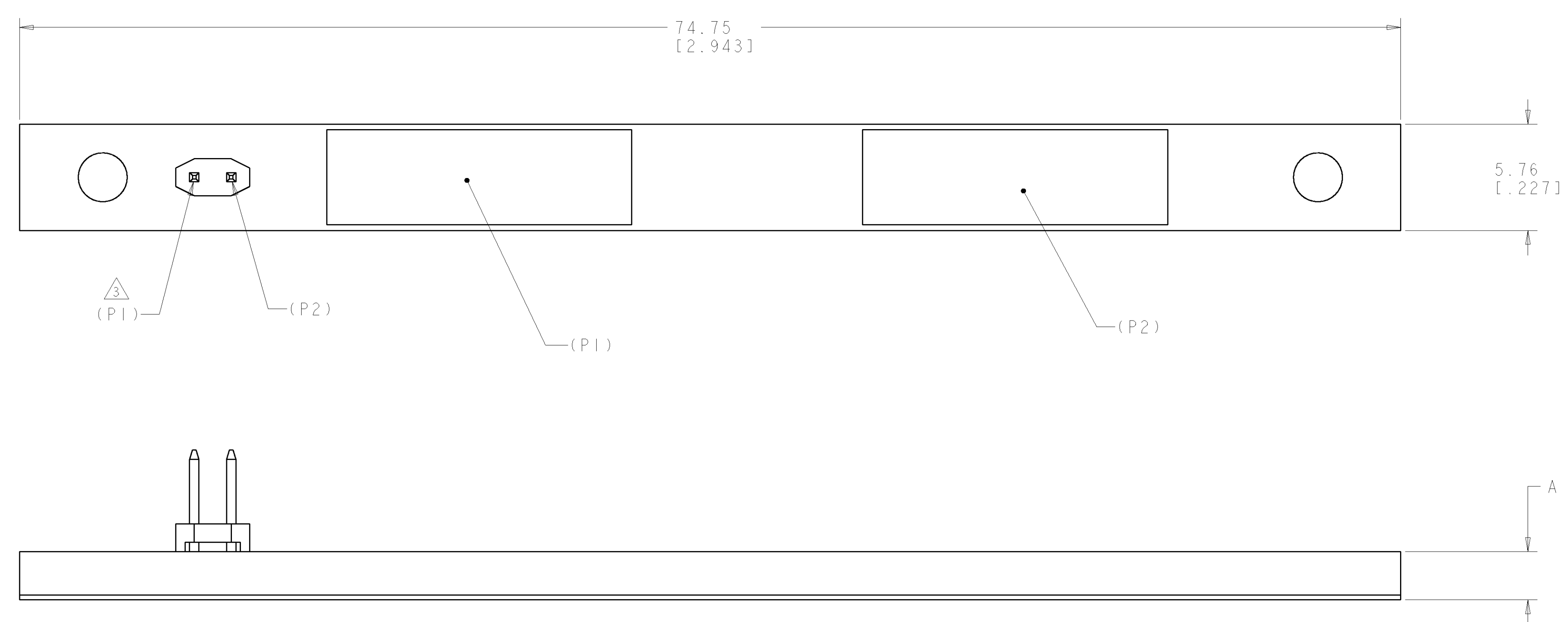


LOC		DIST		REVISIONS			
		P	LTR	DESCRIPTION	DATE	DWN	APVD
		A		RLSD: NPR NS004-136	05NOV2004	GG	PP
		B		REV: EC 0B60-0004-05	25JAN2005	GG	MD



- ① MATERIAL:
 PRINTED CIRCUIT BOARD - LAMINATED
 PLASTIC FR-4.
 ADHESIVE TAPE - MYLAR, 0.38 [.015] THICK
 WITH ADHESIVE.
 HOUSING - THERMOPLASTIC, UL94V-0, BLACK.
 CONTACTS - COPPER ALLOY.
- ② ALL DIMENSIONS SHOWN ARE NOMINAL.
- ③ (P_) CALLOUTS ARE FOR PIN TO PAD
 REFERENCE ONLY.



0.40 [.016]	0.65 [.026]	1479889-2
2.36 [.093]	2.61 [.103]	1479889-1
PCB THICKNESS		A
		PART NUMBER

<small>THIS DRAWING IS UNPUBLISHED. RELEASED FOR PUBLICATION. ALL RIGHTS RESERVED. THIS DRAWING IS THE PROPERTY OF TYCO ELECTRONICS CORPORATION. IT IS TO BE USED ONLY FOR THE SPECIFIC PART OR PARTS IDENTIFIED HEREIN. IT IS NOT TO BE REPRODUCED OR COPIED IN ANY MANNER WITHOUT THE WRITTEN PERMISSION OF TYCO ELECTRONICS CORPORATION.</small>		DWN G. GARRETT 05NOV2004 ENR P. PEPE 05NOV2004 APVD P. PEPE 05NOV2004	tyco Electronics Tyco Electronics Harrisburg, PA 17105-3608
DIMENSIONS: MM [INCHES]	TOLERANCES UNLESS OTHERWISE SPECIFIED: 0 PLG ± 1 PLG ± 2 PLG ± 3 PLG ± 4 PLG ± ANGLES ±	NAME ASSEMBLY, AMPTRAC PCB SENSOR STRIP, 2 PORT PRODUCT SPEC - APPLICATION SPEC - WEIGHT - FINISH -	SIZE CAGE CODE DRAWING NO RESTRICTED TO A 00779 C-1479889 - CUSTOMER DRAWING SCALE 6:1 SHEET 1 OF 1 REV B